



#### Head Office

Ringway Control & Automation  
ABN 47 087 315 179  
4 Lady Penrhyn Dr,  
Unanderra, NSW 2526  
[products@ringway.com.au](mailto:products@ringway.com.au)  
Ph 02 4255 4300 Fax 02 42718990

#### Mackay Office

Ringway Materials Handling  
Unit 10 Woodman Pde,  
Mackay, QLD 4740  
[products@ringway.com.au](mailto:products@ringway.com.au)  
Ph 07 49524001 Fax 07 49522216



## I.S. 6V BATTERY

**P/Ns- ISBATT\_6V7Ah**

**Ex ia – IECEX TSA 06.0050X**

### **RINGWAY I.S. 6V 7AH RECHARGEABLE BATTERY**

#### **DESCRIPTION:**

The Ringway I.S. 6V 7Ah Rechargeable Battery (ISBatt\_6V7Ah) is a 5 cell NiCd battery with integral current limiting to meet Group 1 Exia requirements. The NiCd cells, integral PCB and componentry are fully encapsulated in a 130mm x 160mm x 80mm Stainless Steel (S/S) housing to provide the minimum IP55 enclosure rating and impact resilience requirements.

Connections will typically be made via flying leads with in-line connectors exiting from the lid of the battery. Alternatively, connections may be provided via terminal strips on the lid of the battery enclosure.

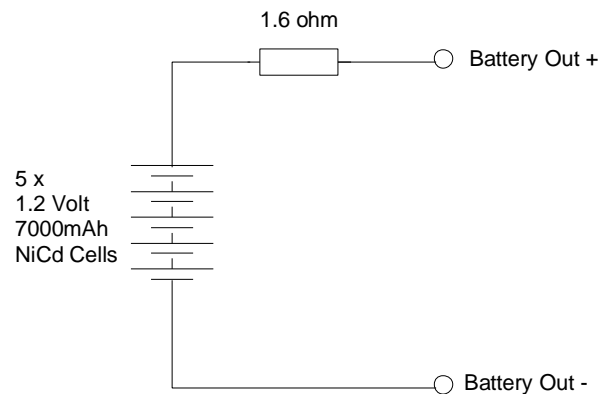
The battery is suitable for use and replacement in the Hazardous area. The battery may only be recharged in the Safe area after disconnection and removal from its target application.

#### **FEATURES:**

- Intrinsically safe for hazardous applications
- High current, high capacity supply (3.75A max.)
- Compact, Rugged Stainless Steel Housing
- Replaceable in the Hazardous Area
- Long Life (~1500 cycles)
- IP55 minimum ingress rating

## APPLICATIONS:

The Ringway ISBATT\_6V7Ah is suitable for any Group 1 (coal mines) hazardous area application requiring a high capacity battery power supply. Because of the low 6V nominal output the battery is able to support high current loads with only minor supply voltage variation (1.6Ω output impedance). Typical applications include uninterruptable power supplies, backup power for hydraulic packs and power-fail brake supplies.



The battery is capable of delivering a maximum nominal current (limited by internal resistance) of 3.75A. It can deliver this size load for approximately 2 hrs after a full charge. With a typical 300mA load the battery will last for a nominal 20 hours.

A purpose built smart charger is also available for the battery (Part No. BATTCHG). The smart charger has three charge rate options - 7hr (fast), 17hr (slow) and 48hr (trickle). Both fast and slow charge functions are equipped with multiple termination means including Negative Delta Voltage (NDV), timeout and temperature. The charger also provides a handy maintenance function which will automatically empty the battery then perform a full charge cycle. Battery maintenance should be carried out once a month in order to maintain maximum capacity.

## BRIEF TECHNICAL SPECIFICATIONS:

<b>Output Voltage:</b>	6V nom.
<b>End-of-Discharge / Disconnect voltage:</b>	5.5V; e.g. 5.0V on terminals @ 300mA load
<b>Output Impedance:</b>	1.6 Ω
<b>Max. Output Current:</b>	3.75A nom.
<b>Charge Input Options:</b>	14-16hrs @ 700mA, or 48 hrs @ 233mA
<b>Battery Cycle Life:</b>	1500 cycles with good maintenance
<b>Dimensions:</b>	130mm x 160mm x 80mm



**SMART CHARGER FOR I.S. BATTERY – ‘BATTCHG’**