



RINGWAY

Control & Automation

Head Office

Ringway Control & Automation
ABN 47 087 315 179
4 Lady Penrhyn Dr,
Unanderra, NSW 2526
products@ringway.com.au
Ph 02 4255 4300 Fax 02 42718990

Mackay Office

Ringway Materials Handling
Unit 10 Woodman Pde,
Mackay, QLD 4740
products@ringway.com.au
Ph 07 49524001 Fax 07 49522216



RINGLINE SYNCHRONISER

C/W MODBUS COMM's

P/N: RLSYNCMBEB, RLSYNCMBEB_DC

DESCRIPTION:

The RLSYNCMBEB is a full-function 192 Channel Ringline Field Bus Synchroniser (power supply). The unit can power and decode the full range of Ringline field transmitters including all analog devices. The input status of all Ringline channels (digital and analog) is continuously mapped to registers for transfer to any monitoring PLC or SCADA system via Modbus (RTU Slave) serial communications. The Ringline carrier signal created also allows any transmitters and receivers connected to the field bus to communicate to each other across the bus.

FEATURES:

- **Simple, robust and functional.**
- Cost effective wide area (up to 7km radius) data acquisition and control over just two wires.
- Analog and Digital data transfer and acquisition.
- Built in diagnostic LED's.
- Can be configured as a two-wire system fully down-line powered for all devices.
- Can suit Intrinsically Safe applications with a matched barrier.

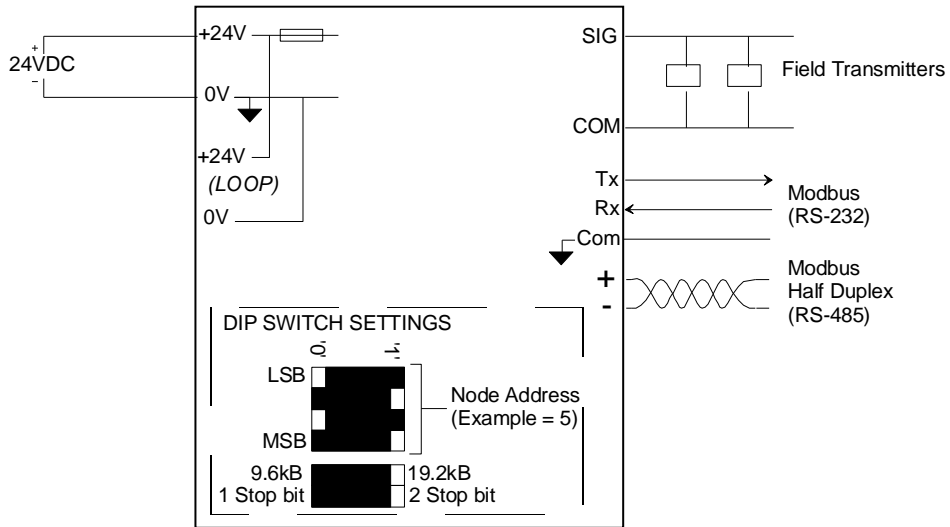
APPLICATIONS:

The RLSYNCMBEB can be used to gather and transfer digital and or analog signals over great distances and or wide areas using minimal infrastructure (two wires) e.g.

- Distributed dam level / pump control (in conjunction with PLC)
- General Remote I/O network for Modbus capable PLC's.

BRIEF TECHNICAL SPECIFICATIONS:

Input Power Supply: 110V AC / 240V AC (24V DC = RLSYNCMBEB_DC)
Ringline Output: 7.4V RMS DC @ 1kHz
Modbus: RTU Slave – Selectable Address - RS485 or RS232
 9.6 or 19.2 kB with 1 or 2 Stop bits
Dimensions: 75mm (H) 55mm (W) & 110mm (D)



Jumper	Location	Use
J0	Top board under lid - photo, bottom right	Enable RS485 EOL Resistor
J1	Top board under lid –photo, bottom mid	RS232/RS485 Selection
J2	Top board under lid – photo, top left	Enable/Disable RS232 Rx Termination Resistor
J3	Side board, requires PCB assembly removal – see photo (right)	Enable for bypass of Ringline Resistor on installs > 3km

