



Head Office

Ringway Control & Automation
ABN 47 087 315 179
4 Lady Penrhyn Dr,
Unanderra, NSW 2526
products@ringway.com.au
Ph 02 4255 4300 Fax 02 42718990

Mackay Office

Ringway Materials Handling
Unit 10 Woodman Pde,
Mackay, QLD 4740
products@ringway.com.au
Ph 07 49524001 Fax 07 49522216



I.S. SUPPLY SWITCH

P/N's – RWREL27V4A_110, RWREL27V4A_24

[Ex ia] I IIC IIIC – IECEx TSA 12.0002X

RELAY SWITCH FOR REDUNDANT I.S. POWER SUPPLIES

DESCRIPTION:

The Ringway Relay Switch for Backup I.S. Power Supplies (RWREL27V4A) enables safe live-line changeover between one of two possible I.S. power supplies to field equipment in the hazardous area. The relay switch achieves this by ensuring that the necessary isolation between the two power supplies is maintained at all times even under fault conditions as required by the Intrinsic Safety concept. The Relay Switch meets category 'ia' requirements and is certified for Groups I, IIC and IIIC applications. The Relay Switch is conveniently housed in a foot-mounted enclosure with nominal dimensions 135(L) x 77(W) x 70(D) mm. The unit must be housed in an IP54 min. rated metal enclosure that meets requirements of IEC 60079.0. Connection to the Relay switch is via pluggable Phoenix terminals which makes for easy swap-out or testing of connections.

FEATURES:

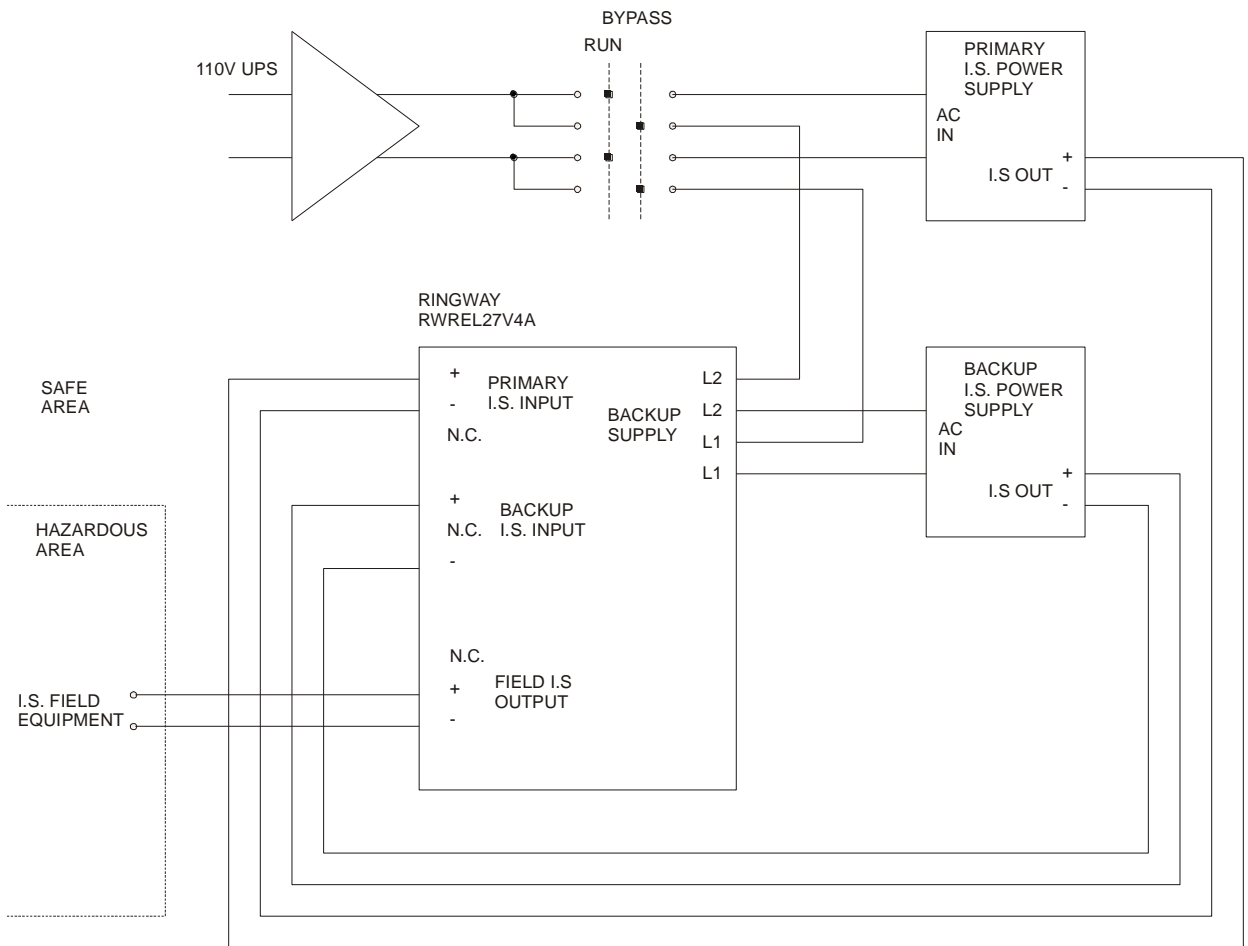
- Safe live-line changeover of power supplies to hazardous area
- 110VAC and 24VDC supply options available
- Certified for Groups I, IIC and IIIC applications
- Can switch supplies up to 27.5V (Uo), 4A (Io)
- Convenient foot mounted enclosure suitable for G-rail or hat-rail
- Power and fuse health LED indication

APPLICATIONS:

The **RWREL27V4A** is suitable for any application where critical equipment in the Hazardous Area requires a redundant standby power supply to be switched-in quickly when primary power supply fails or for any other reason. The 'Backup Supply' input switches the 'Field I.S. Output' source from 'Primary' to 'Backup'. The input is designed for either 110VAC (RWREL27V4A_110) or 24VDC (RWREL27V4A_24) and will typically be wired in parallel with the input of the backup I.S. power supply (see Figure below for a typical 110V version installation).

BRIEF TECHNICAL SPECIFICATIONS:

Power Supply Switching input:	110VAC or 24VDC
Output:	'Primary' or 'Backup' I.S. input
Inputs:	27.5V (Ui), 4A (Ii)
Operating/Release Time¹:	20ms max.
Dimensions²:	135(L) x 77(W) x 70(D) mm
Certification:	IECEX TSA 12.0002X



Typical Terminations

¹ Contact bounce time not included.

² The length axis (L) will run parallel to the rail mounting i.e. horizontal.